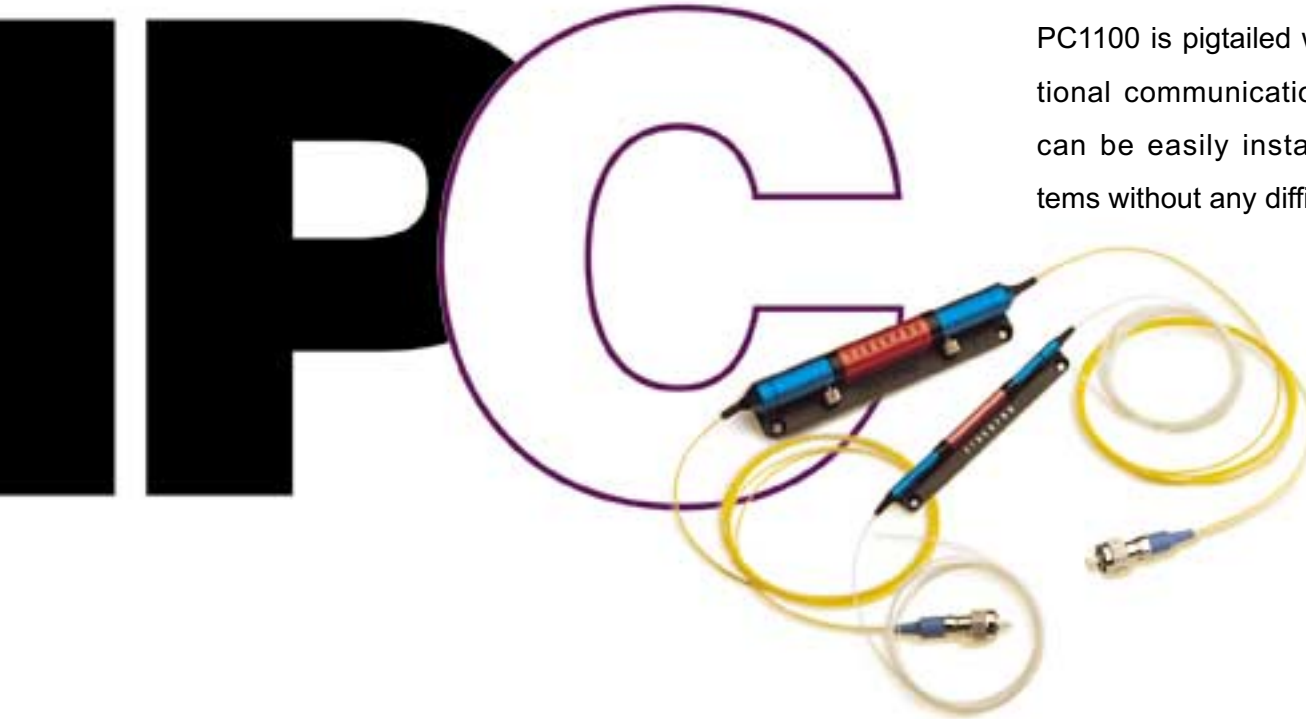


# In-line Polarization Controller

**PC1100**

PC1100 is suitable for fiber optic systems and experiments where small size is especially needed.

Although it performs complete functions of bulky conventional polarization controllers, it fits in most rack mountable housings and electronic circuit boards. PC1100 is pigtailed with conventional communication fiber and can be easily installed in systems without any difficulty.

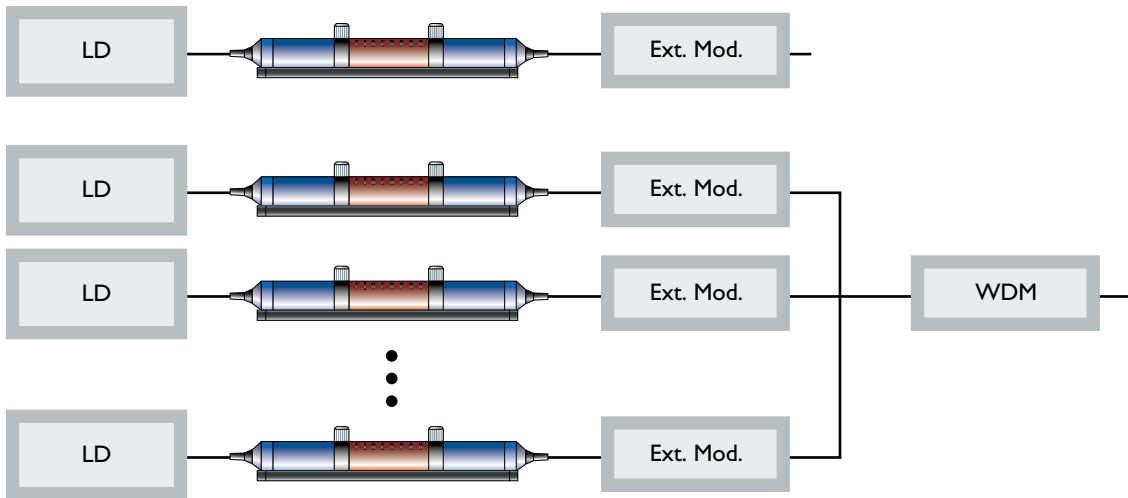


## Features

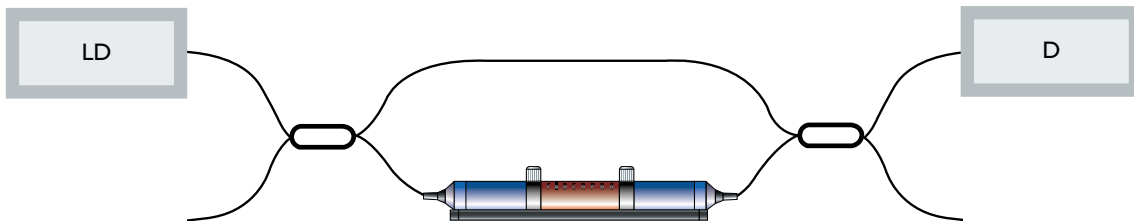
- Super compact size
- Easy to system integration
- No squeeze on fiber
- No damage on fiber jacket
- Two independent control parameter
- Low loss
- High shock endurance
- Miniature In-line Polarization Controller

## Applications

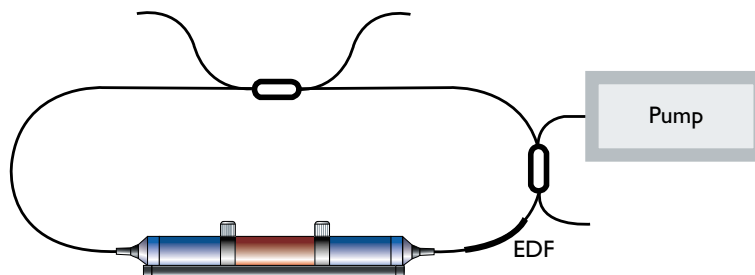
### 1. Polarization control for optical devices to match polarization state



### 2. Polarization control for fiber optic interferometers

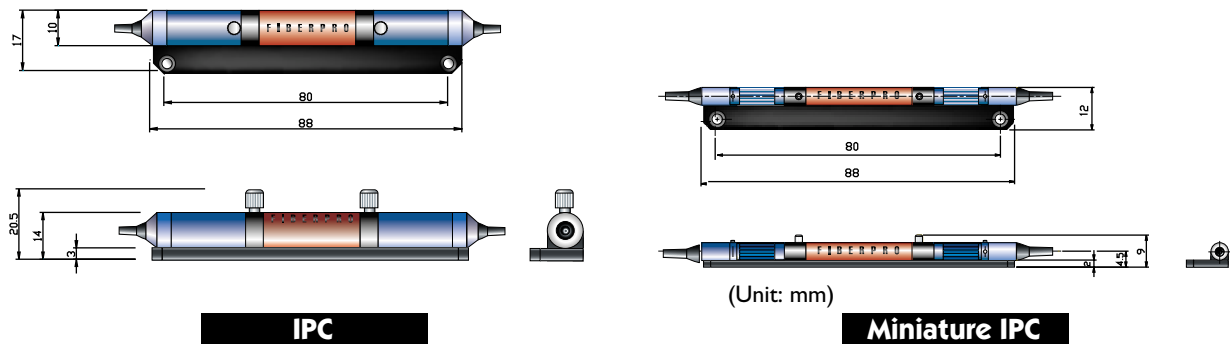


### 3. Polarization control in laser cavity



LD:Laser Diode Ext.Mod:External Modulator D:Detector EDF:Erdium-Doped-Fiber

## Dimensions



## Specification

	IPC	Miniature IPC
Operating Wavelength Range	1520 ~ 1620 nm	
Insertion Loss	< 0.5 dB (< 0.3 dB typical) <sup>1)</sup>	
Polarization Extinction Ratio	> 20 dB (> 25 dB typical)	
Back Reflection	< -60 dB (without connector)	
Dimensions (W × H × D)	88 × 17 × 19.5 mm	88 × 6 × 10 mm

<sup>1)</sup> With FC/PC connectors

The specifications and technical information contained herein are subject to change without notice and are furnished without charge or obligation. They are given and accepted at recipients sole risks.

## Ordering code

### PC1100-(1)-(2)

1. wavelength → 1550 nm (15)
2. connector type → FC/SPC (F/P), FC/APC (F/A), No connector (X)

*Example : PC1100-15-X*

→ In-Line Polarization Controller operating at 1550 nm with no connectors.